

**1. Contact information**

Company:	Name:
Street:	Surname:
Zip-code:	Phone:
City:	E-mail:
Country:	Date:
Project Reference:	

**Information about type of manipulation**

**2. Layer information**

Length (L) mm:	Min.	Max.			
Width (W) mm:	Min.	Max.			
Minimum coverage of the layer:	100% <input type="checkbox"/>	75% <input type="checkbox"/>	50% <input type="checkbox"/>	25% <input type="checkbox"/>	Other ( )%

**3. Type of manipulation**

De-palletizing

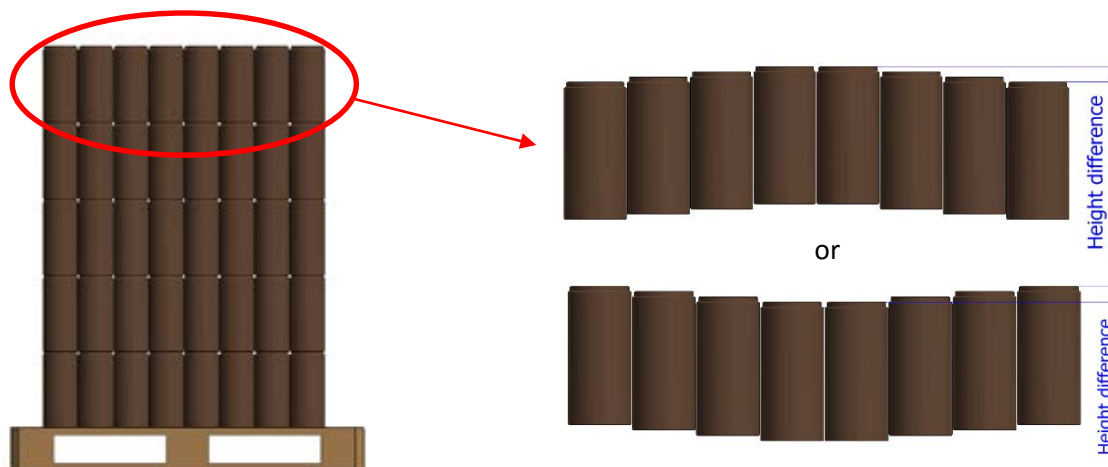


Palletizing



**Important:**

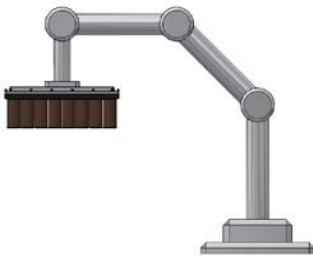
In case of de-palletizing, we need the height difference indicated as below.



Height difference= \_\_\_\_\_ mm.

**4. Direction of manipulation**

Horizontal



Vertical



**5. Does the customer need to handle other parts in addition to the workpiece?**

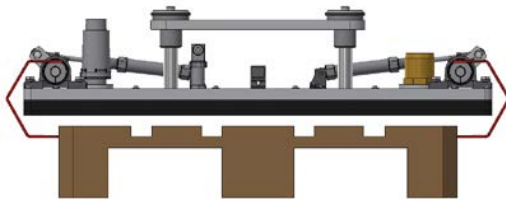
Yes

No

Example of other parts:

**Pallet**

Length:	Min.	Max.
Width:	Min.	Max.
Weight:	Min.	Max.
Material:		



**Interlayer**

Length:	Min.	Max.
Width:	Min.	Max.
Weight:	Min.	Max.
Material:		



Other

Specify:

**6. Gripping surface**

Without the edge

Go to step 7



With the edge

Go to step 8

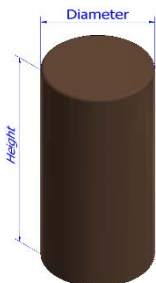


**7. Form and dimensions of the gripping surface without the edge.**

Gripping surface:	Clean <input type="checkbox"/>	Dirty <input type="checkbox"/>	Dry <input type="checkbox"/>	Wet <input type="checkbox"/>	Flat <input type="checkbox"/>	Rough <input type="checkbox"/>
Material:	Metal <input type="checkbox"/>	Glass <input type="checkbox"/>	Ceramic <input type="checkbox"/>	Plastic <input type="checkbox"/>	Other <input type="checkbox"/>	

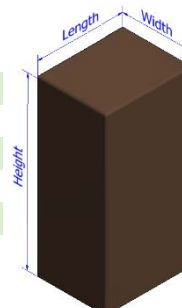
**Round shape**

Diameter:	Min.	Max.
Height:	Min.	Max.
Weight:	Min.	Max.



**Rectangular shape**

Length:	Min.	Max.
Width:	Min.	Max.
Height:	Min.	Max.
Weight:	Min.	Max.
Material:		



Other shape

Specify:

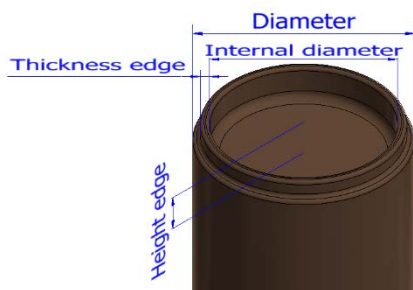
**8. Form and dimensions of the gripping surface with the edge.**

**Stoppered**

Type:	Can <input type="checkbox"/>	Jar <input type="checkbox"/>	Glass <input type="checkbox"/>	Bucket <input type="checkbox"/>	Bottle <input type="checkbox"/>	Other <input type="checkbox"/>
Gripping surface:	Clean <input type="checkbox"/>	Dirty <input type="checkbox"/>	Dry <input type="checkbox"/>	Wet <input type="checkbox"/>	Flat <input type="checkbox"/>	Rough <input type="checkbox"/>
Material:	Metal <input type="checkbox"/>	Glass <input type="checkbox"/>	Ceramic <input type="checkbox"/>	Plastic <input type="checkbox"/>	Other <input type="checkbox"/>	

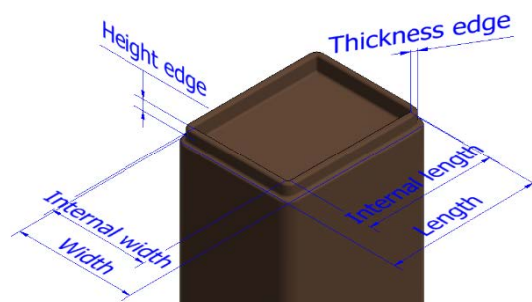
**Round shape**

Diameter:	Min.	Max.
Internal diameter:	Min.	Max.
Total height:	Min.	Max.
Thickness edge:	Min.	Max.
Height edge:	Min.	Max.
Weight	Min.	Max.



**Rectangular shape**

Length:	Min.	Max.
Width:	Min.	Max.
Internal length:	Min.	Max.
Internal width:	Min.	Max.
Total height:	Min.	Max.
Thickness edge:	Min.	Max.
Height edge:	Min.	Max.
Weight:	Min.	Max.



Other shape

Specify:

# Kenos Vacuum gripping systems KVGL-CJ

## Application form cans, jars



### Opened

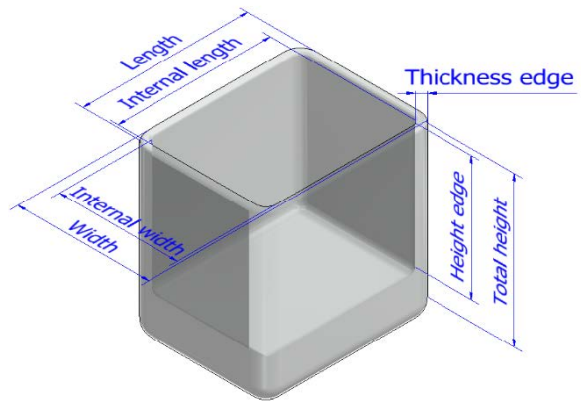
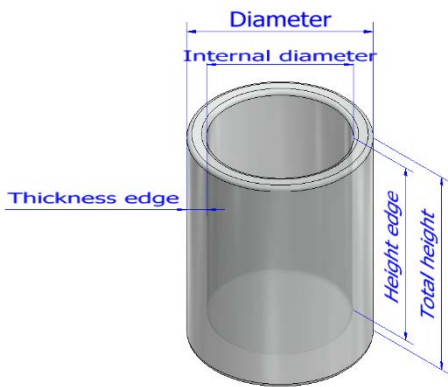
Type:	Can <input type="checkbox"/>	Jar <input type="checkbox"/>	Glass <input type="checkbox"/>	Bucket <input type="checkbox"/>	Bottle <input type="checkbox"/>	Other <input type="checkbox"/>
Gripping surface:	Clean <input type="checkbox"/>	Dirty <input type="checkbox"/>	Dry <input type="checkbox"/>	Wet <input type="checkbox"/>	Flat <input type="checkbox"/>	Rough <input type="checkbox"/>
Material:	Metal <input type="checkbox"/>	Glass <input type="checkbox"/>	Ceramic <input type="checkbox"/>	Plastic <input type="checkbox"/>	Other <input type="checkbox"/>	
Possibility of implosion with vacuum:	Yes <input type="checkbox"/>		No <input type="checkbox"/>			

### Round shape

Diameter:	Min.	Max.
Internal diameter:	Min.	Max.
Total height:	Min.	Max.
Thickness edge:	Min.	Max.
Height edge:	Min.	Max.
Weight	Min.	Max.

### Rectangular shape

Length:	Min.	Max.
Width:	Min.	Max.
Internal length:	Min.	Max.
Internal width:	Min.	Max.
Total height:	Min.	Max.
Thickness edge:	Min.	Max.
Height edge:	Min.	Max.
Weight:	Min.	Max.



### Other shape

Specify:

### 9. Enclosures

Drawings <input type="checkbox"/>	Photos <input type="checkbox"/>	Samples <input type="checkbox"/>	Other <input type="checkbox"/>
-----------------------------------	---------------------------------	----------------------------------	--------------------------------